



Real Micro

VOMS-202D

Video Digital Operating Microscopy System



'Cutting edge 3D Video operation' leads global trend of surgery

3D HUD(Head-Up Display) method to provide more comfortable, safe and precise surgery.



SOMETECH, A Leader in 3D Video Digital Microsurgery, leading the Global Dental Surgery Trend!

Since 1989, Sometech has tirelessly invested in R&D to introduce world class dental and medical equipments. We firstly introduced oral camera followed by RF surgical devices, video endoscopy, 3D laparoscope, and 3D Video Digital Operating Microscopy System.

We invented the world's first a new concept 3D Video Digital Operating Microscopy System and released on medical market

VOMS-202D with its unique patented technologies offers comfortable, safe, and precise dental operating environment.

We invite you to a new world of perfect full 3D image in high resolution.

RealMicro VOMS-202D

- Shorter and more precise surgery with 3D image in full HD, Distortion free 3D image / Deep depth perception
- Precise and easy operation by HUD (Head-Up Display)
- Remote from the patient's mouth (Avoid the risk of infection from various respiratory diseases)
- Excellent for clinical education by short learning curve

Applications: Available to the all dental operations.
(Implant / Dental Prosthetics / Endodontic / Oral Maxillofacial / Orthodontics.)



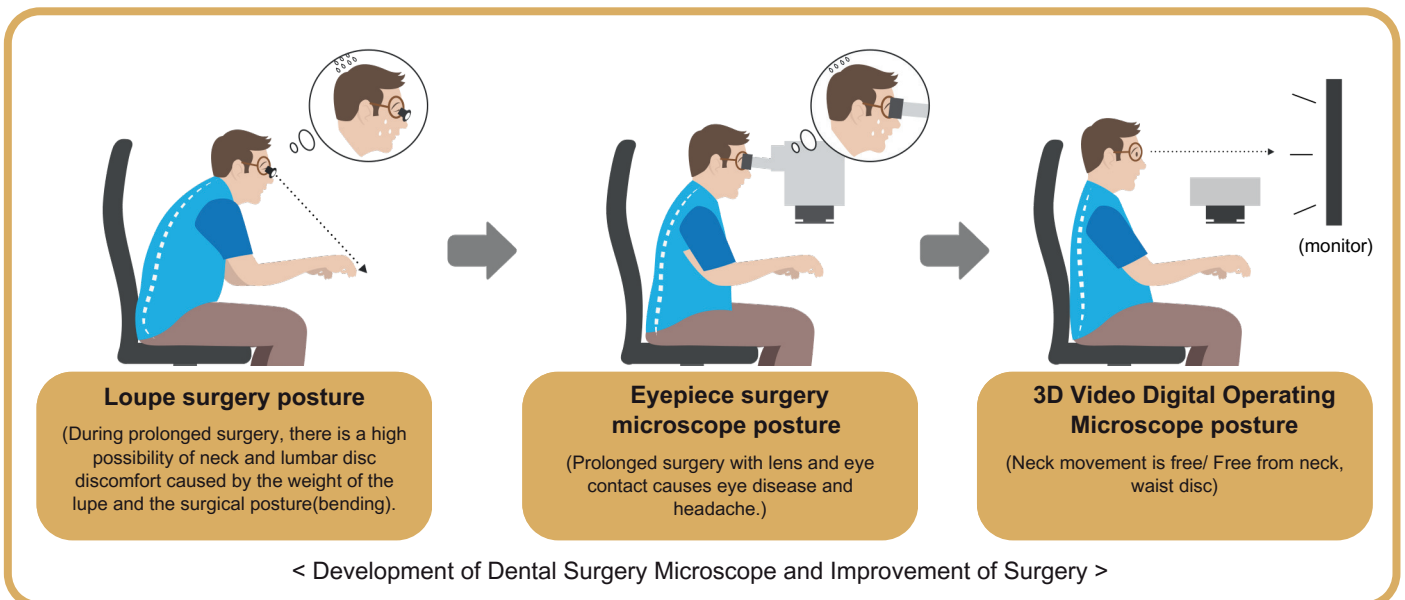
A New Trend In Global Dental Surgery HUD(Head-Up Display) 3D Dental Video Digital Operating Microscope

A New Trend In Global Dental Surgery HUD(Head-Up Display) 3D Dental Video Digital Operating Microscope

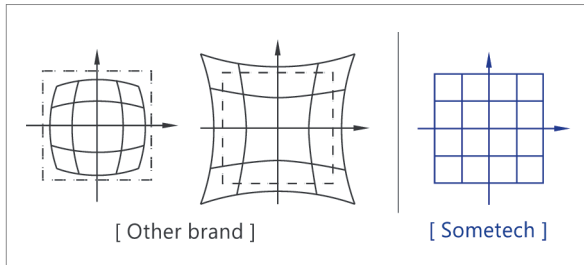
Currently, 3D surgery using high-resolution 3D video microscope is being developed to recognize the depth of the lesion through the monitor and to further refine and precise surgery

3DVideoDigitalOperating Microscope

RealMicro VOMS-202D



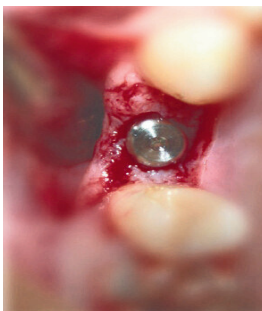
Advantages(Visual)



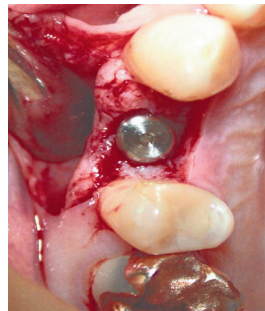
Minimized distortion

Sometech`s patented lens can minimize the chromatic aberration. Surgeons are relieved from eye strain, dizziness, and headache caused by distortion.

(* Actual image of Implantology)



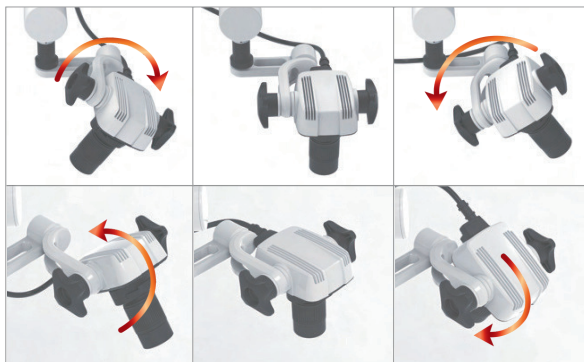
[Eyepiece type]



[Head-up type]

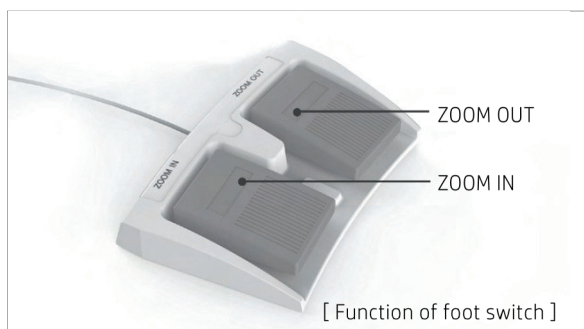
Fine Focusing & wide Field of View

Sometech`s patented image processing technology provides crystal clear images not only for the immediate but also the surrounding area.



Easy and precise movement

Ergonomic design allows easy and precise movement. Dentists can place the camera to focus on surgical area easily.



Convenient digital zoom by footswitch up to 1.5x

Digital zoom can be operated either by GUI in main unit or footswitch for maximum convenience during dental surgery and treatments.

Simple and easy 3D calibration

Advantages(Mechanical)



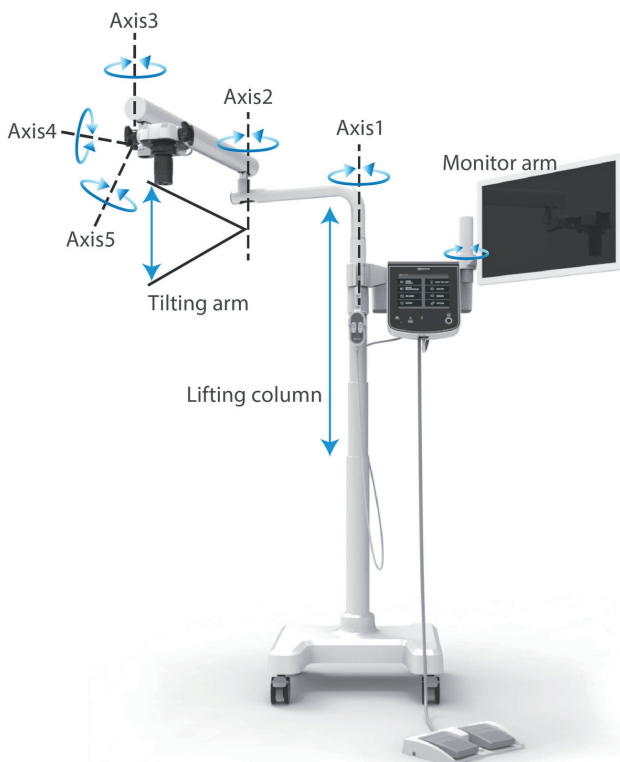
Touch screen & Control System

- VOMS-202D has a built-in GUI[TFT]
- Comfortable touch panel
- Manage video setting: up to 3 users



Integrated Recording System

- Media Storage: USB2.0 type/format type (FAT 32)
- Recording format: MPEG-4 /H.264 file Extension(.AVI)
- The recording system allows users to record, save, and share Full-HD video surgeries for multiple purposes.



ARM control

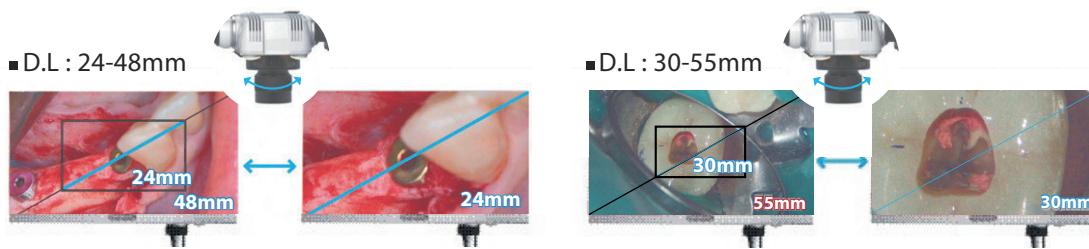
- Panning & Tilt control: Manual type

Adjustable Height

- Height Control: Motorized type
- Users can adjust the equipment's height according to their needs.

[The monitor can be applied as integrated or a detached type]

Adjustable optical zooming up two times by simple twist of turret

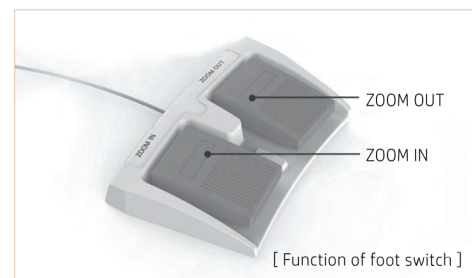


Lens Magnification

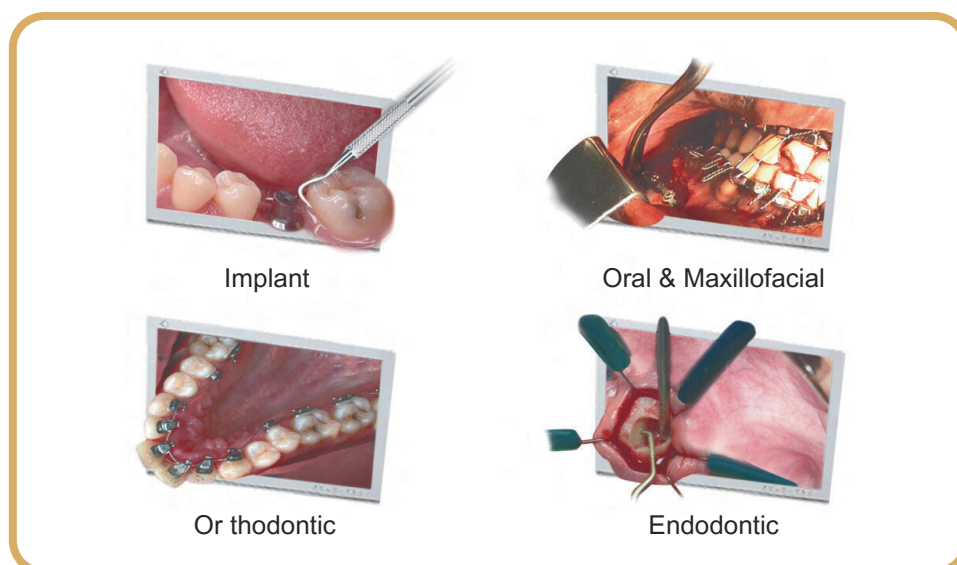
Details		Lens magnification based on D/L (Diagonal length) and Monitor size			
Lens type		Turret lens (24-48) [standard]		Turret lens (30-55) [option]	
Diagonal Length(D/L)		24mm	48mm	30mm	55mm
Working Distance(W/D)		290mm	290mm	290mm	290mm
Magnification	23" Monitor	24x	12x	20x	11x
	26" Monitor	28x	14x	22x	12x
	32" Monitor	34x	17x	27x	15x
	55" Monitor	60x	30x	47x	25x

Convenient digital zoom by foot switch up to 1.5

Digital zoom can be operated either by GUI in main unit or foot switch for maximum convenience during dental surgery and treatments.



Applications



*Other than the above applications, Sometech's RealMicro VOMS-202D is applicable for all other dental surgeries and treatments.

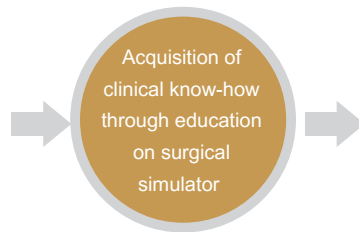
Operating Simulator System for Educational Purpose

Attached to an educational operating simulator system at dental schools!
 This system allows a more precise and safer clinical training. Educational and surgical equipment can be purchased at reasonable prices.

Attached to an educational operating simulator system



▲ Clinical training(VOMS-101D)



▲ Safe operation (VOMS-202D)

- 3D images are used to offer increased depth and broader view for ease of operation.
- Image recording function can provide non-distorted images.

• Short learning curve

3D images with broad view can easily identify depth, minimizing the learning curve and time required for operation.

• Reasonable price

SOMETECH' s unique patent technology enables video to be transmitted directly to the monitor from a compact, non-deformative 3D microscopic camera, eliminating the need for a separate optics.

• Utilization at conferences and other education programs



- Small group case studies

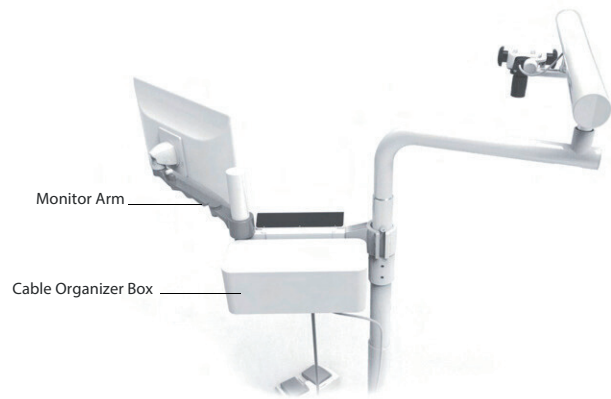
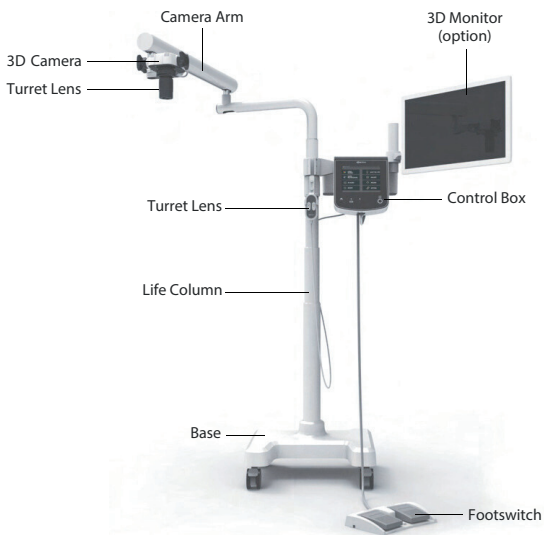


- Conferences, seminars, live surgery watch



- Case presentation within groups (hospitals, departments)

Detail view



Main Unit	Dimension		Extension length: 1, 584mm(W) * 550mm(D) * 1,662mm(H) Folded length: 750mm(W) * 550mm(D) * 1,300mm(H)
	CCU	Power	100-240VAC, 50/60Hz
		3D Muxing format	Side by side
		OutPort	HDMIx 3EA : (GUI), (A), (B)
	Light source	LED	White LED with UV cut filter
		Color temperature	5,000 °K(+/-)10%
		Life Time	60,000 hours
	Recorder	Media Storage	USB2.0 type /format type (FAT 32)
		Recording format	MPEG-4/H.264 file Extension(AVI)
	GUI	Touch LCD	TFT Touch LCD 8"
3D Camera	Resolution	Full-HD(1920x1080/60P) 16:9 Ratio	
	Digital zoom	1.0x~1.5x(Step 0.1x)	
ARM control	Manual & Motorized	Panning & Tilt control: Manual type Height Control: Motorized type	
Lens			
	<p>[Standard]</p> <p>D.L=24-48mm (W.D:290mm)</p>	<p>[Option]</p> <p>D.L=30-55mm (W.D:290mm)</p>	
3D Monitor (option)	Resolution	Full-HD(1920x1080)	
Weight	57 Kg *Without monitor*		

AB MED INC.

Address: 6021 Yonge Street, Unit 319
 Toronto, Ontario, Canada M2M 3W2
 Email: custserv@abmed.ca
 Phone: +1 905-288-8199

